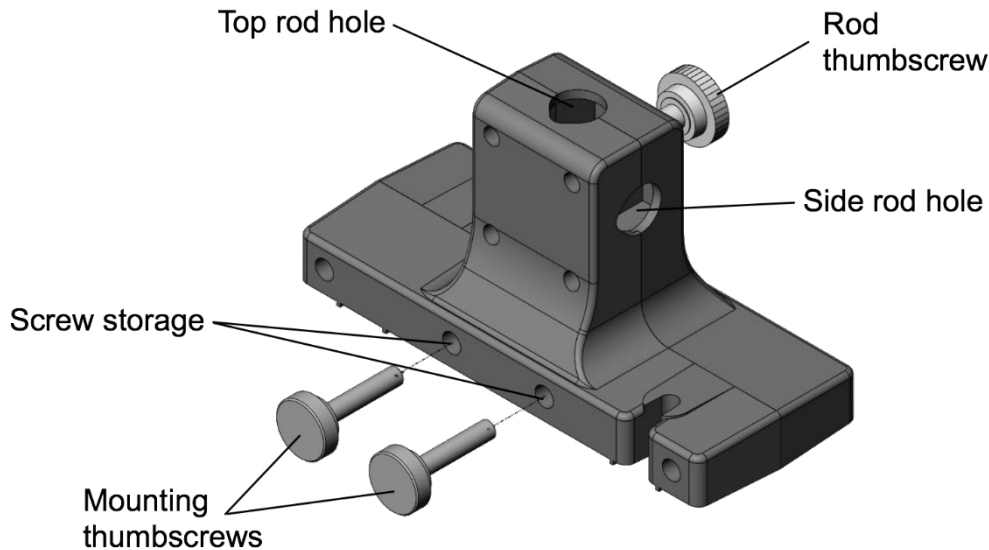


Smart Cart Rod Stand Adapter

ME-1244



Introduction

The Smart Cart Rod Stand Adapter allows the PASCO Smart Cart to be suspended from a rod stand to measure forces with the Smart Cart force sensor. The adapter is precision made to fit securely in the accessory tray of Smart Cart models ME-1240 (red) or ME-1241 (blue). Built-in threaded screw storage holes provide a place to store the mounting thumbscrews when the adapter is not in use.

The Rod Stand Adapter accepts 3/8-inch (9.5 mm) to 1/2-inch (12.7 mm) rods. The Smart Cart can be mounted directly to a vertical rod to position the force sensor in a vertical direction. A second hole on the top of the Rod Stand Adapter allows the Smart Cart to be mounted to a horizontal cross-rod. When mounted to a horizontal rod, the force sensor can be placed further from the vertical rod and positioned at any angle.

Experiments performed with the Smart Cart Rod Stand Adapter determines how the adapter should be mounted. Mounting the Smart Cart vertically provides a stable setup for measuring the weight of a mass and the force of an oscillating mass on a spring. Mounting the Smart Cart on a horizontal rod is useful for statics experiments since forces can be measured at any angle.

Operation

To install the adapter

1. Remove the mounting thumbscrews from the screw storage holes.
2. Place the adapter in the accessory tray of the Smart Cart (Figure 1).
3. Insert in the thumbscrews into each threaded hole of the Smart Cart and turn until finger-tight.

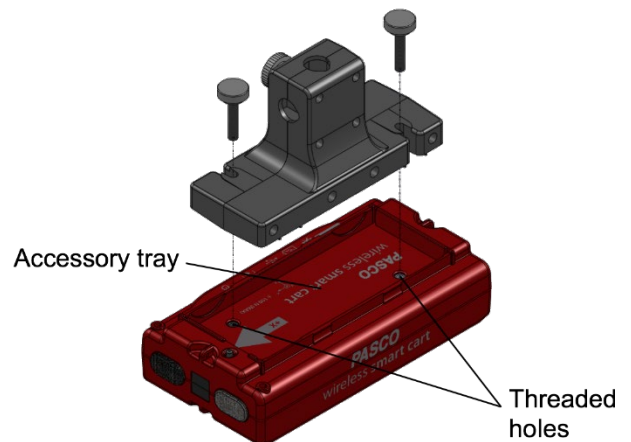


Figure 1. Place the adapter in the Smart Cart accessory tray.

To mount to a vertical rod

1. Loosen the rod screw to allow a rod to be inserted into the rod holes.
2. Insert a rod into the side rod hole (Figure 2, left).
3. Tighten the rod screw until finger-tight.

To mount to a horizontal rod

1. Set up two rods with a multi-clamp as shown in Figure 2 (right).
2. Loosen the rod screw to allow a rod to be inserted into the mounting hole.
3. Insert a rod into the top rod hole until the rod touches the bottom of the adapter.
4. Rotate the Smart Cart to the desired angle.
5. Tighten the rod screw until finger-tight.



Figure 2. The Smart Cart can be mounted directly to a vertical rod (left) or to a horizontal cross-rod (right).

Technical Support

For assistance with PASCO products, contact PASCO at:

Address: PASCO scientific
10101 Foothills Blvd.
Roseville, CA 95747-7100

Phone: 916-462-838

Web: www.pasco.com

Email: support@pasco.com

Warranty, Copyright, and Trademarks

Limited Warranty For a description of the product warranty, see the PASCO catalog.

Copyright The PASCO scientific 012-16466A Smart Cart Rod Stand Adapter Instruction Sheet is copyrighted with all rights reserved. Permission is granted to non-profit educational institutions for reproduction of any part of this manual, providing the reproductions are used only in their laboratories and classrooms, and are not sold for profit. Reproduction under any other circumstances, without the written consent of PASCO scientific, is prohibited.

Trademarks PASCO and PASCO scientific are trademarks or registered trademarks of PASCO scientific, in the United States and/or in other countries. All other brands, products, or service names are or may be trademarks or service marks of, and are used to identify, products or services of, their respective owners. For more information visit www.pasco.com/legal.